

# WESTGATE

## G3 Full Cutoff Wallpack

### Installation Guide



**WARNING**

#### PLEASE READ ALL INSTRUCTIONS BEFORE ATTEMPTING INSTALLATION

**SAFETY:** This fixture must be wired in accordance with the national electrical code and applicable local codes and ordinances. Proper grounding is required to insure personal safety. Carefully observe the grounding procedure under installation section. All work should be done by a qualified electrician.

> RISK OF ELECTRIC SHOCK - Disconnect power at fuse or circuit breaker before installing or servicing.

> RISK OF PERSONAL INJURY - Fixture may become damaged and/or unstable if not installed properly. Tighten all fixture components to their recommended torque values.

**WARNING:** Make certain power is **OFF** before starting installation or attempting any maintenance.

### INSTALLATION

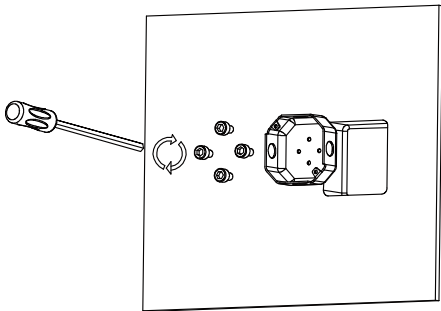


Fig 1

1. Install standard junction box base on the wall.  
(PS: Junction box is not included)

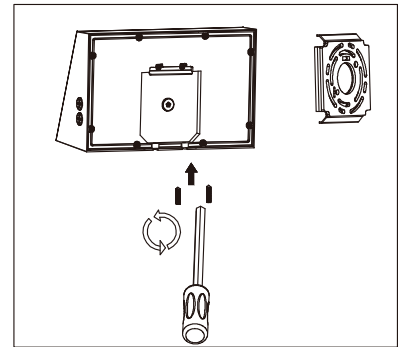


Fig 2

2. Use the Hex Wrench to loose screws and take apart the mounting bracket from fixture.

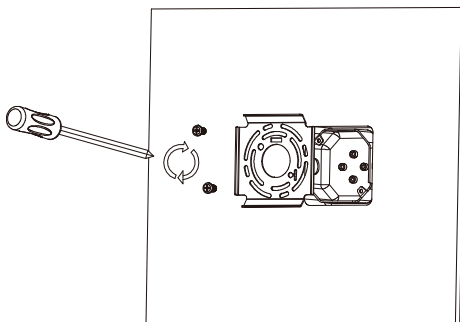


Fig 3

3. Install the mounting bracket to the junction box.

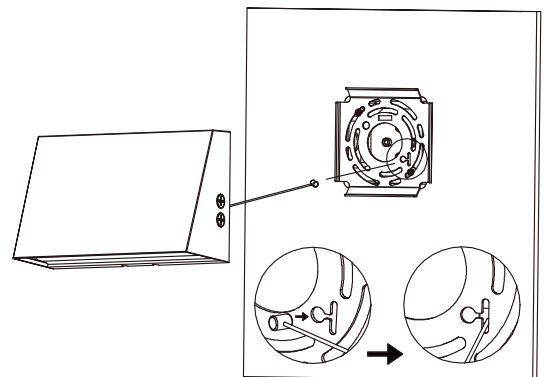


Fig 4

4. Attach the safety cable to the bracket to hold the fixture onto the wall.

# WESTGATE G3 Full Cutoff Wallpack

## Installation Guide

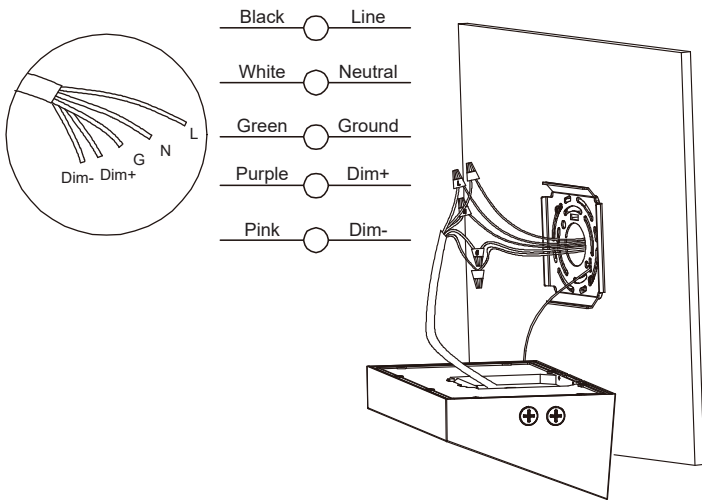


Fig 5

5. Connect wires according to below wire diagram.

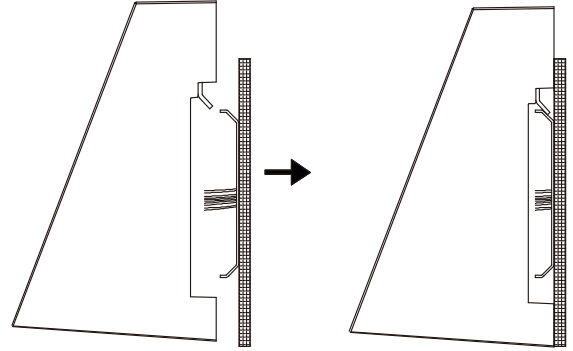


Fig 6

6. Install the fixture onto the bracket.

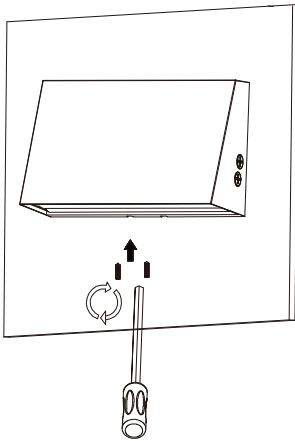


Fig 7

7. Fasten the fixture by Hex Wrench.

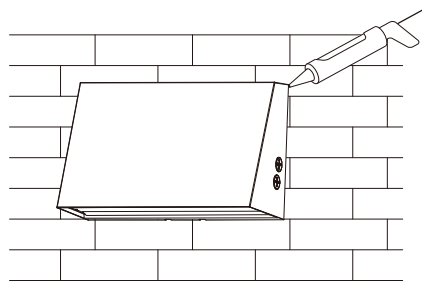


Fig 8

8. Apply silicone sealer around the fixture where it meets the wall to prevent water entry.

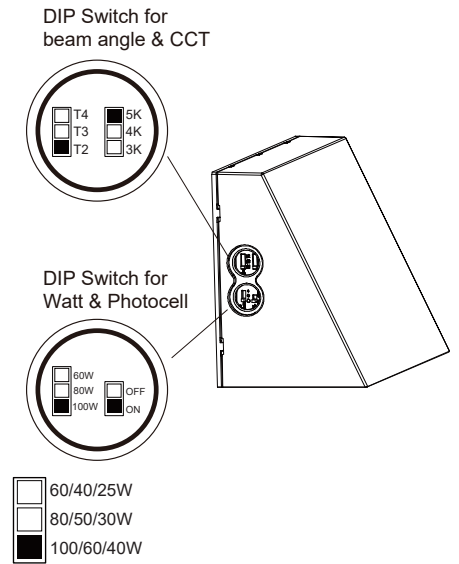


Fig 9

9. Choose your desired wattage, CCT and beam angle by the DIP switch.

Make sure the side KOs are well tightened after above operation.